

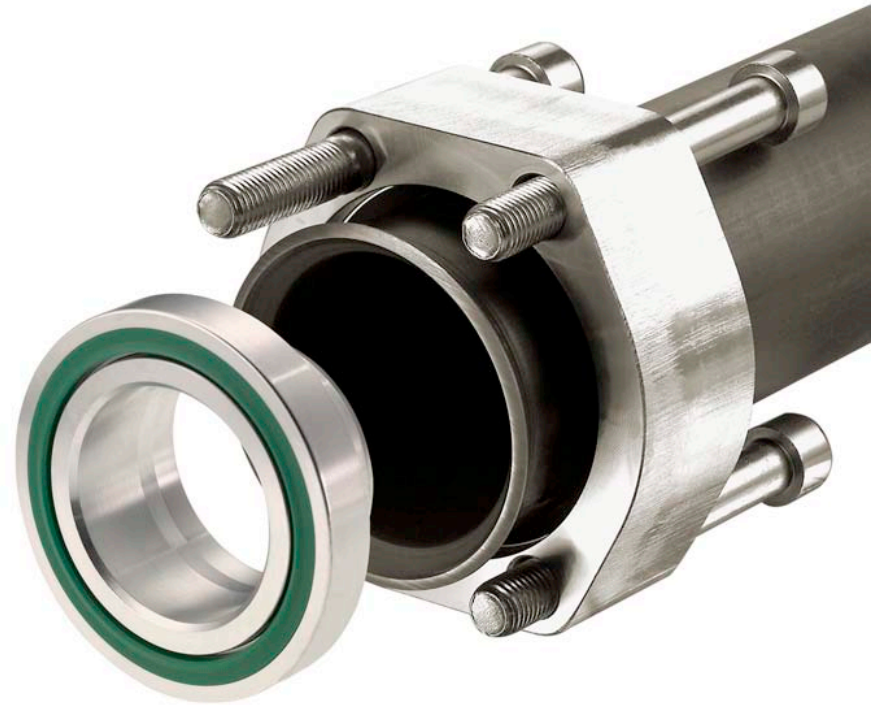
Parflange F37

non-welded flange system



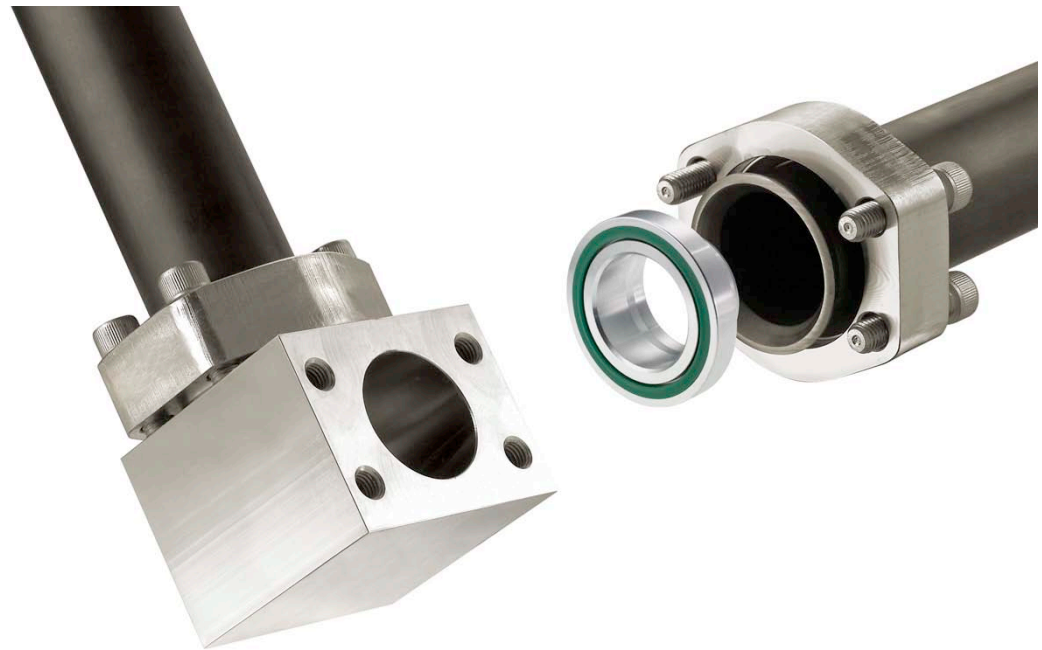
Parflange F37 – Program Overview

- Designed for high pressure tube connections bigger than 38/42 mm (EO-Range)
- Ideal for replacement of weld systems in shipbuilding, offshore and heavy machinery equipment
- Type approved by DNV and other classification companies



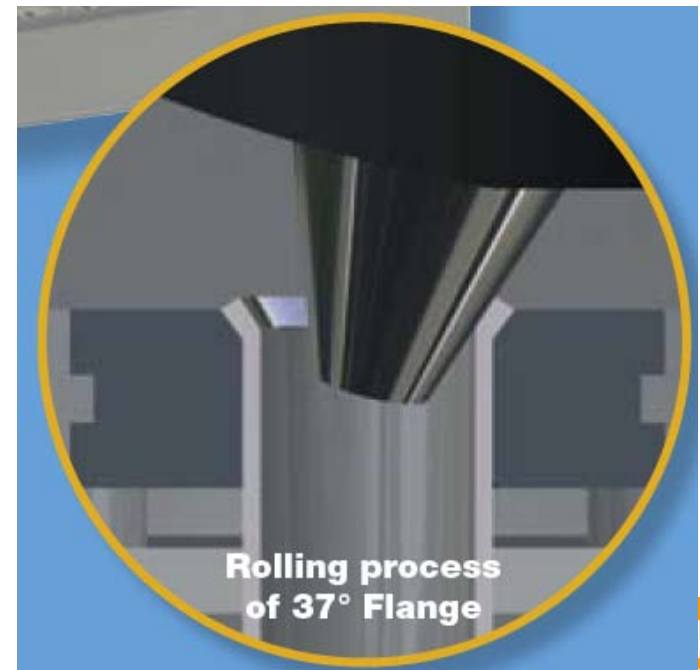
Parflange F37 – Program Overview

- Pipe size from 38x4 up to 140x4,5 mm
- Flanges to SAE 3000, SAE 6000 and ISO 6164 footprint
- Flange size 1" up to 5"
- For steel and stainless steel tubing
- Steel components in Cr(VI)-free surface
- Wide product range
- System already known in the market



Parflange F37 – Program Overview

- Weld-free hydraulic tube connection programme
- Tube flare 37°
- Easy to prepare robust flange connection
- Million times proven “Parflange” orbital tube forming technology
- Parflange Process leaves no dirt particles or other contamination
- No need for chemical cleaning
- Excellent sealing performance through rolled sealing surface and soft seal



Huge total cost reductions

Compared to conventional welding,

Parflange F37 leads to several time and cost benefits

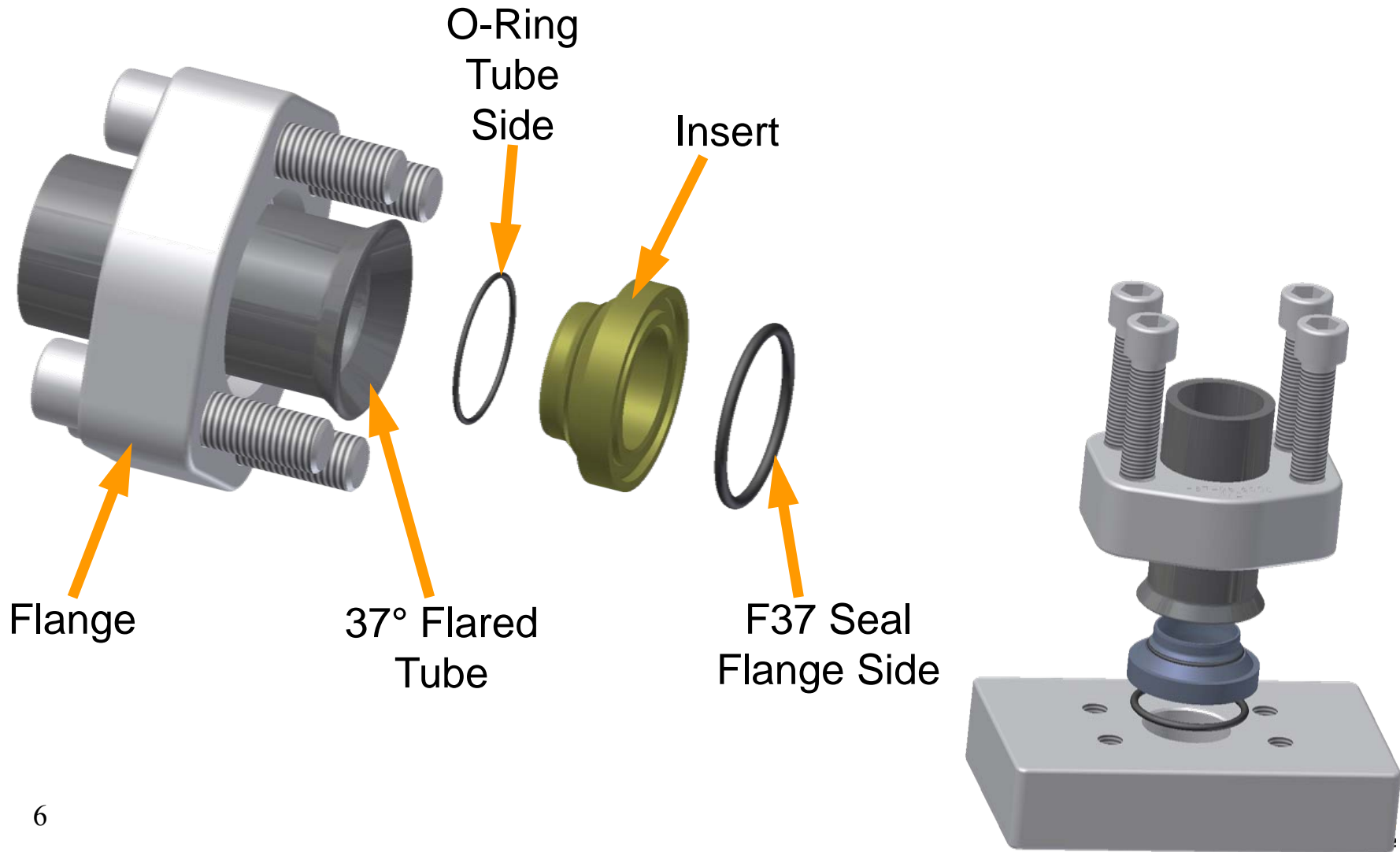
- Wide product range and ISO conformity enables flexible planning and engineering
- Parflange Process for faster pipework fabrication
- Prefabricated parts for shorter installation time
- No X-ray necessary
- No post-welding cleaning costs
- Reduced flushing costs
- No “hot work” permit requirement

Parflange
F37
non-welded flange system

All leading to reduced total project time and costs!

Parflange F37

Tube to Flange Connection - Components



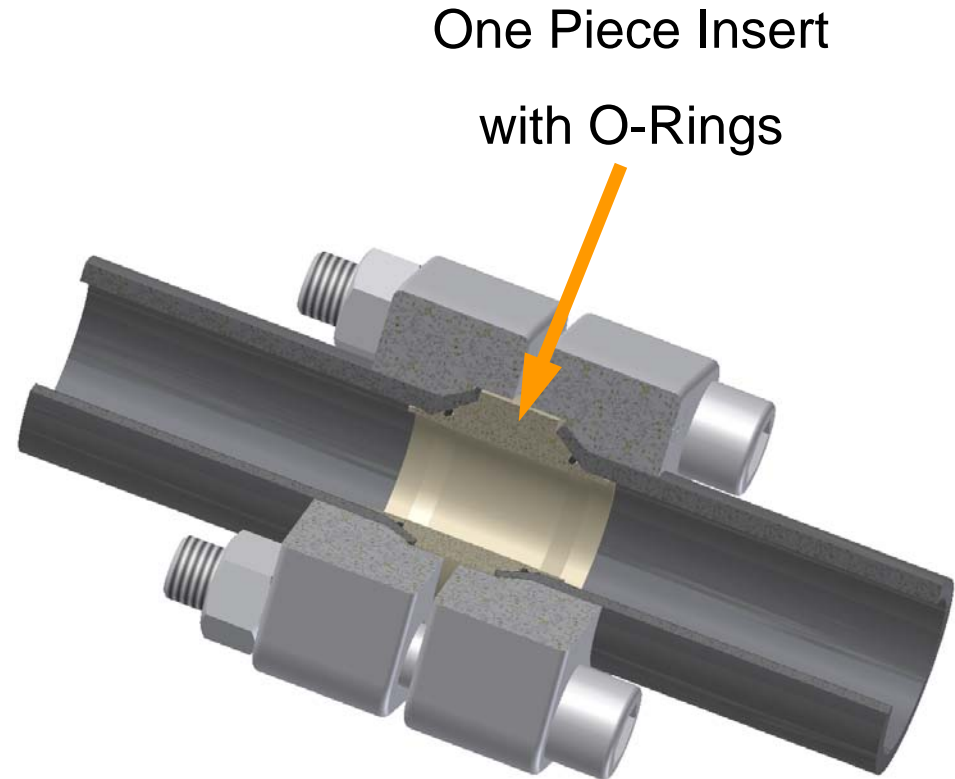
Parflange F37

Tube to Flange Connection



Parflange F37

Tube to Tube Connection - Components



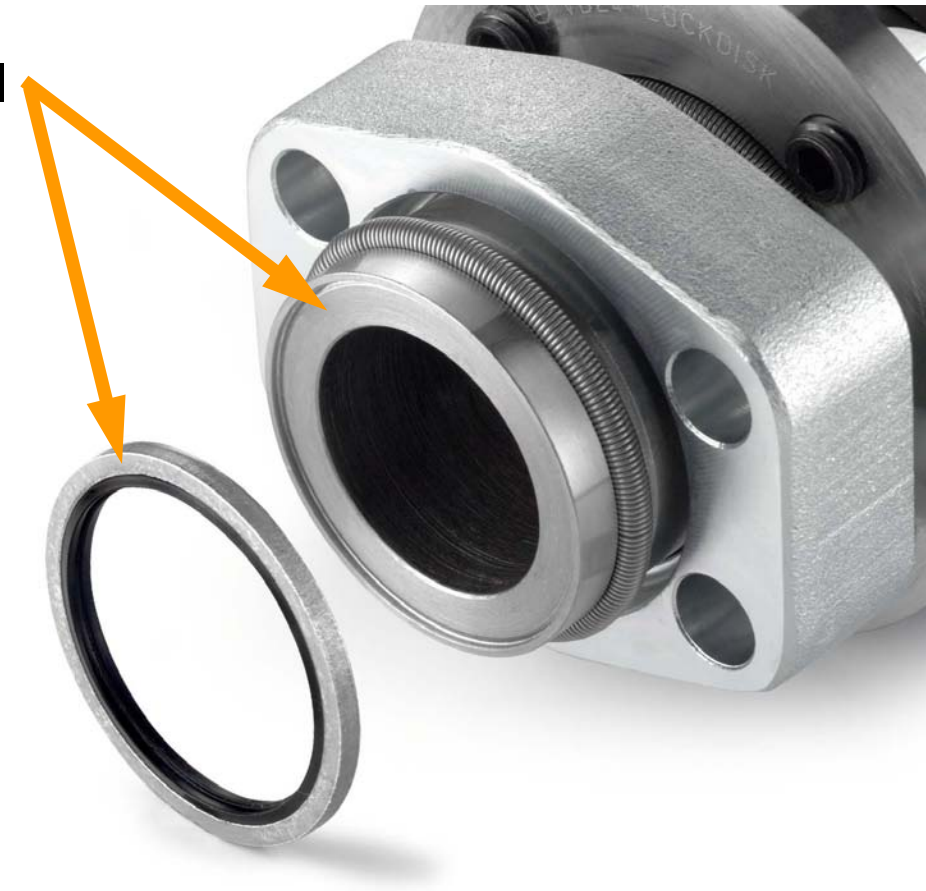
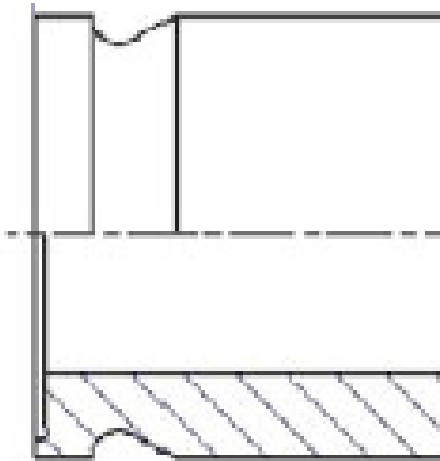
Parflange F37 – Product Range

- Tube to Port Connections
- Straight Flange Connections
- Elbow Flanges
- Tee Flanges
- Blind Flanges



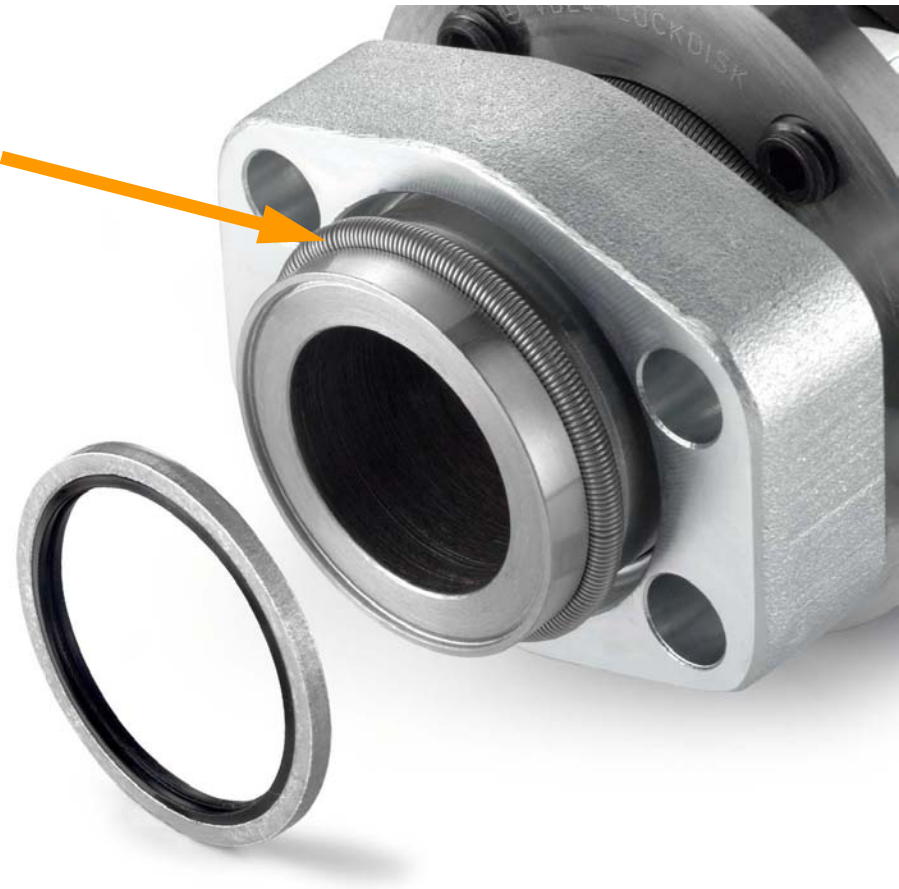
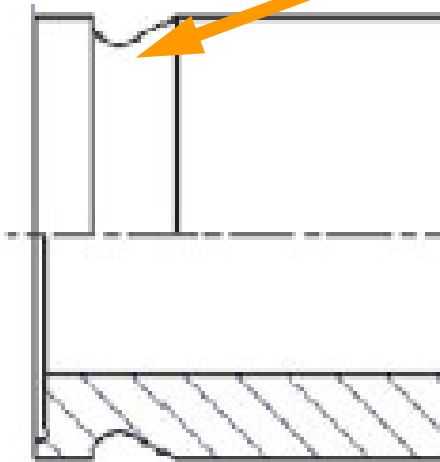
Parflange F37 – Product Range Retaining Ring System

- Machined Tube or Part End
 - Front Groove with Bonded Seal

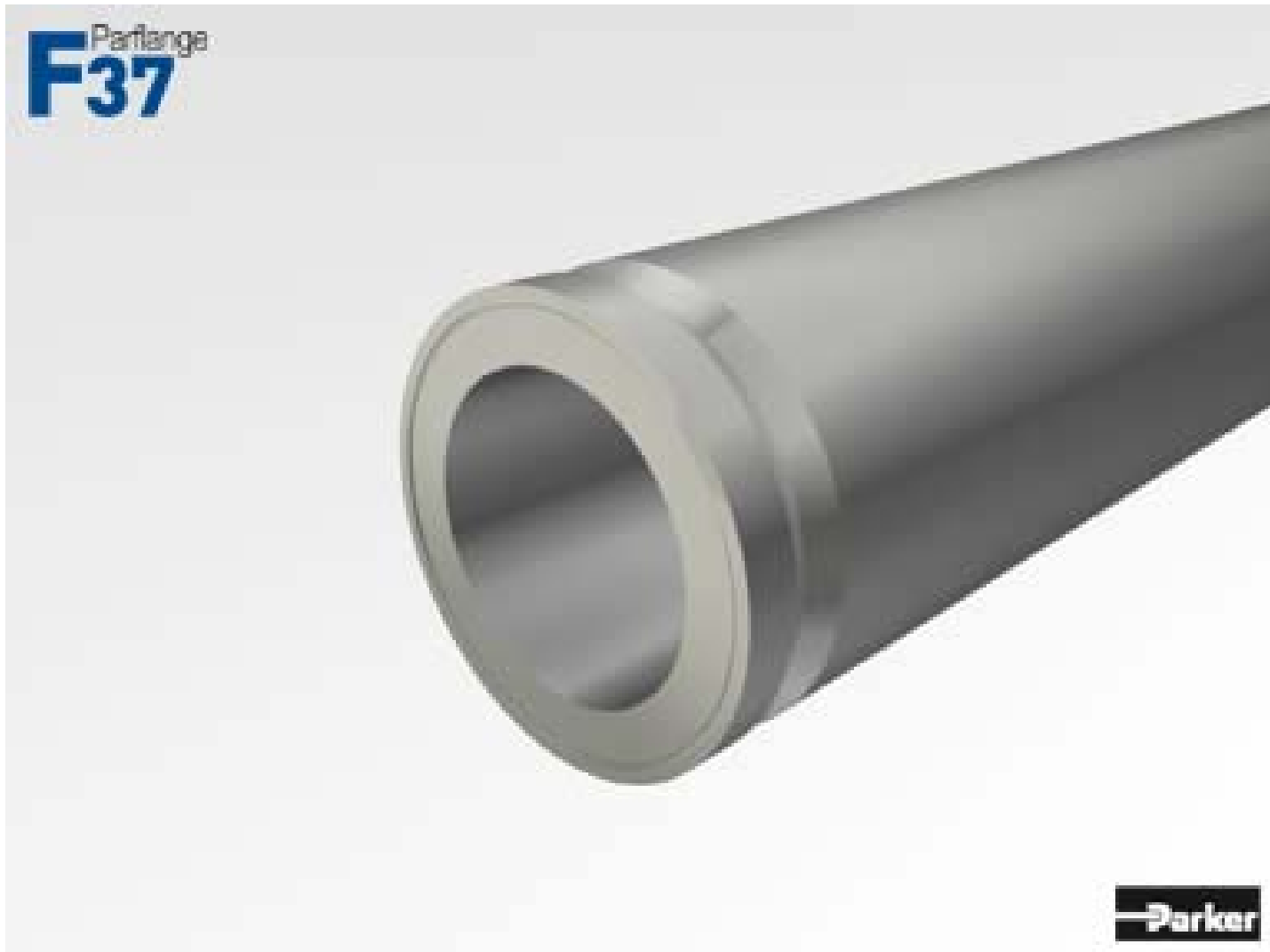


Parflange F37 – Product Range Retaining Ring System

- Machined Tube or Part End
 - Front Groove with Bonded Seal
 - Outer Groove with retaining ring

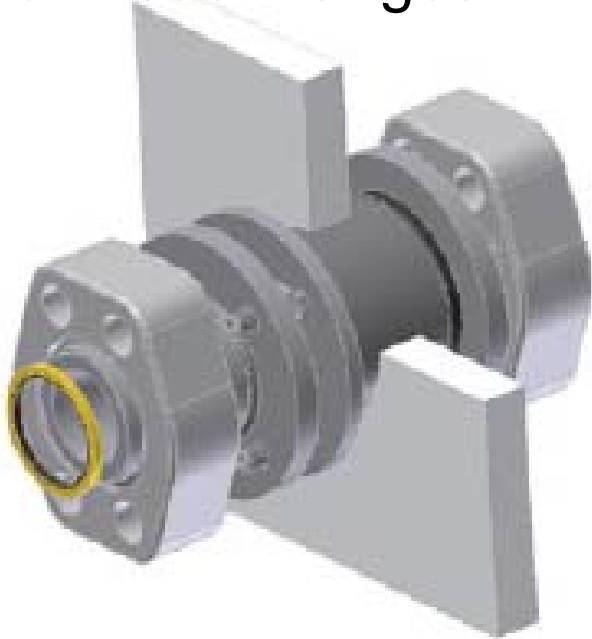


Parflange F37 – Retaining Ring System



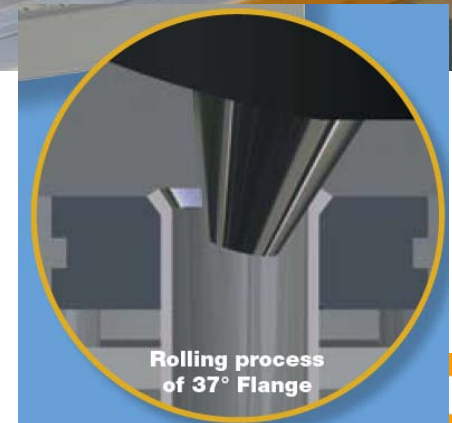
Parflange F37 – Product Range Retaining Ring

- Flange Reducer
- Male / Female Thread Flanges
- Welding Flanges
- Flange bends 90° and 45°
- Bulkhead Flanges

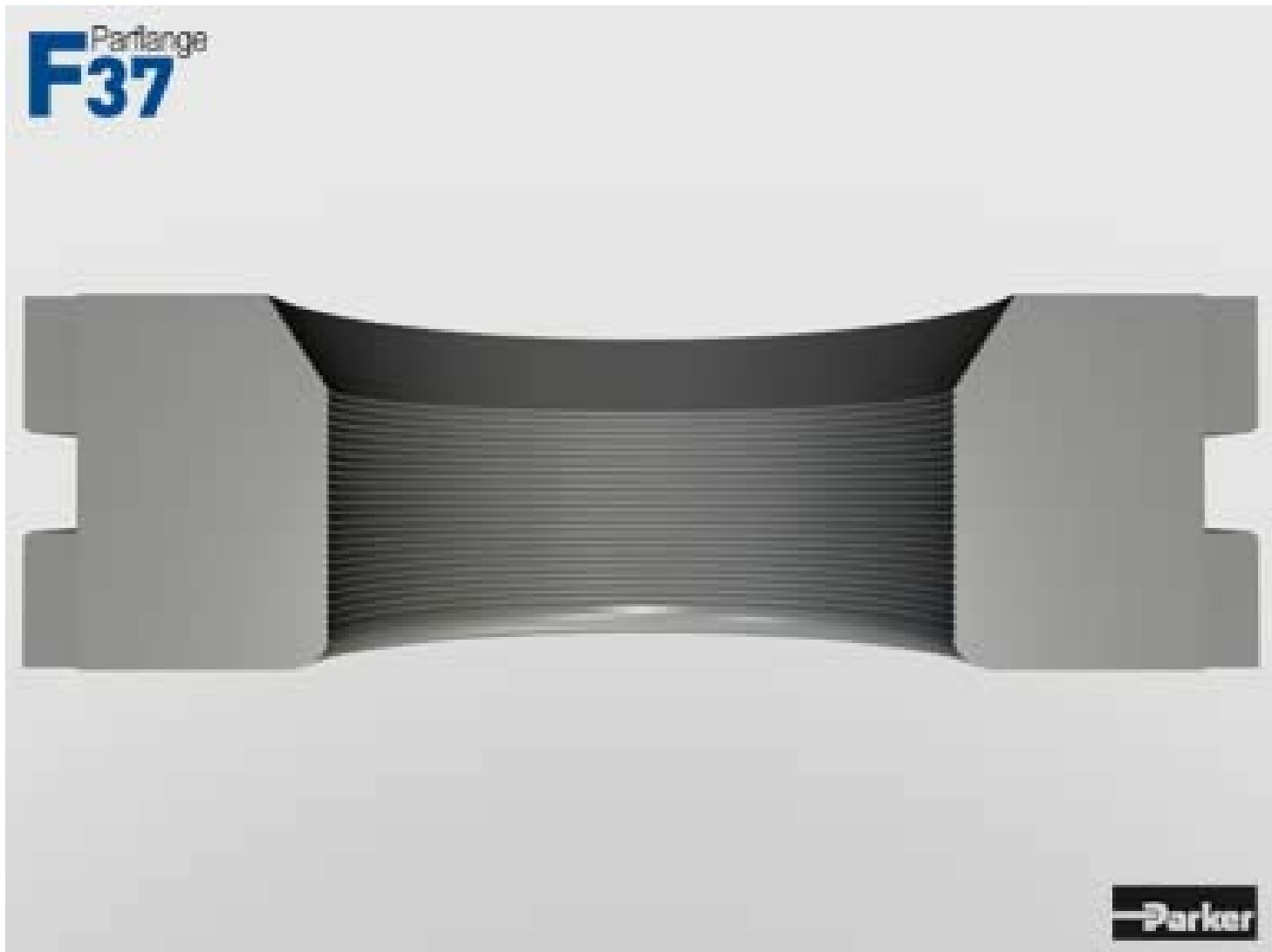


Flanging Equipment - Parflange ECO 170

- Milliontimes proven Parflange Process
- Superior smooth sealing surface
- Flexible on-site flanging
- Robust machine design
- Simple manual operation
- All handling elements ergonomically located
- Quick and easy toolchange
- Flanges steel and stainless steel tubing



Flanging Process - Parflange ECO 170



Parflange F37 – Target Markets

- **Offshore**
- **Marine**
- Construction & Mobile
- Metals and Mining
- Plastic Molding Machinery
- Presses
- Pulp & Paper
- Recycling

